

## 1.2 to 3.8GHz – Surface Mount Circulator

### Design Features

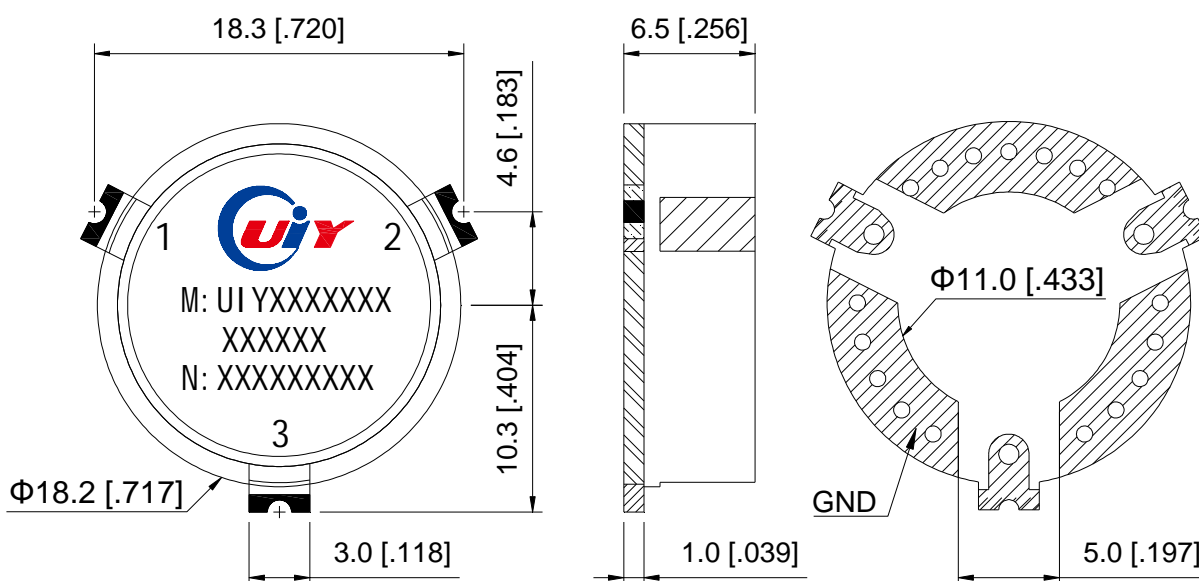
- ◆ High RF performance, ultra-competitive price.
- ◆ Custom design available upon request.
- ◆ Military, space and commercial applications.
- ◆ Support one year standard warranty.

### RF Characteristics

Model Number	Freq. Range (MHz)	Insertion Loss Max(dB)	Isolation Min(dB)	VSWR Max	Forward Power(W)	Reverse Power(W)	Connector Type	Temp.(°C)
UIYSC18A1200T1300	1200 ~ 1300	0.4	20	1.25	60	60	SMT	-10 ~ +70
UIYSC18A1295T1305	1295 ~ 1305	0.3	23	1.2	60	60	SMT	-30 ~ +70
UIYSC18A1710T1785	1710 ~ 1785	0.3	23	1.2	60	60	SMT	-30 ~ +70
UIYSC18A1805T11880	1805 ~ 1880	0.3	23	1.2	60	60	SMT	-30 ~ +70
UIYSC18A1920T1990	1920 ~ 1990	0.3	23	1.2	60	60	SMT	-30 ~ +70
UIYSC18A2110T2170	2110 ~ 2170	0.3	23	1.2	60	60	SMT	-30 ~ +70
UIYSC18A2200T2300	2200 ~ 2300	0.35	23	1.2	60	60	SMT	-30 ~ +70
UIYSC18A2300T2700	2300 ~ 2700	0.4	20	1.25	60	60	SMT	-30 ~ +70
UIYSC18A2400T2500	2400 ~ 2500	0.35	23	1.2	60	60	SMT	-30 ~ +70
UIYSC18A2500T2700	2500 ~ 2700	0.35	21	1.2	60	60	SMT	-30 ~ +70
UIYSC18A3400T3600	3400 ~ 3600	0.35	21	1.2	60	60	SMT	-30 ~ +70
UIYSC18A3600T3800	3600 ~ 3800	0.35	21	1.2	60	60	SMT	-30 ~ +70

2 Listed are specific frequency ranges and tailor-made ranges are available.  
 2 Please provide the information below when inquiring and mark \* is required.  
 \* 1. The specific frequency ranges  
 \* 2. Power handling (Forward, Reverse, Peak, etc.)  
 3. Other special requests (Insertion Loss, Isolation, VSWR, Temperature, Dimension, etc.)

### Mechanical Drawing



Unit: mm/ inch, General part tolerance is  $\pm 0.2$ mm unless otherwise stated.

Ver. 5