

# 50W 18GHz – Coaxial Termination

## Design Features

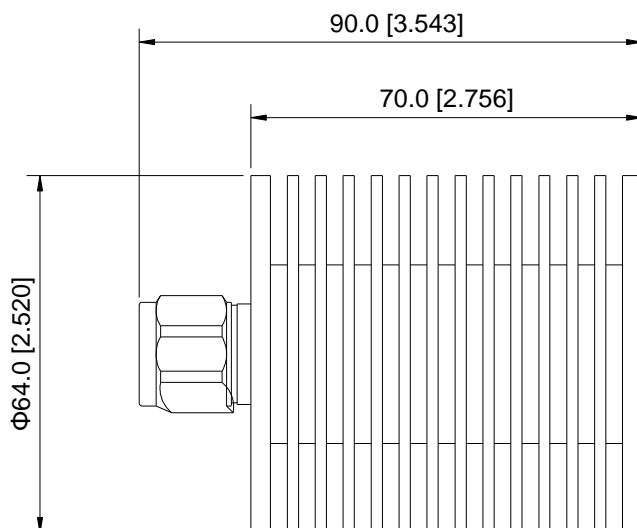
- ◆ High RF performance, ultra-competitive price.
- ◆ Custom design available upon request.
- ◆ Military, space and commercial applications.
- ◆ Support one year standard warranty.

## RF Characteristics

Model Number	Freq. Range	VSWR Max	Power	Connector Type	Impedance
UIYCT50AN124	DC-4GHz	1.2	50W	N Male	50 Ω
	4 ~ 8GHz	1.25			
	8 ~ 12.4GHz	1.3			
UIYCT50ANF124	DC-4GHz	1.2	50W	N Female	50 Ω
	4 ~ 8GHz	1.25			
	8 ~ 12.4GHz	1.3			
UIYCT50AN18	DC-4GHz	1.2	50W	N Male	50 Ω
	4 ~ 8GHz	1.25			
	8 ~ 12.4GHz	1.3			
	12.4 ~ 18GHz	1.35			
UIYCT50ANF18	DC-4GHz	1.2	50W	N Female	50 Ω
	4 ~ 8GHz	1.25			
	8 ~ 12.4GHz	1.3			
	12.4 ~ 18GHz	1.35			

- 2 Listed are specific frequency ranges and tailor-made ranges available.  
 2 Please provide the information below when inquiring and mark \* is required.  
 \* 1. Power handling  
 2. Connect type (SMA Male/ Female, N Male/ Female, etc.)  
 3. Other special requests (VSWR, Temperature, Dimension, etc.)

## Mechanical Drawing



Unit: mm/ inch, General part tolerance is ±2% unless otherwise stated.

Ver. 5.2