

25W 18GHz – Coaxial Termination

Design Features

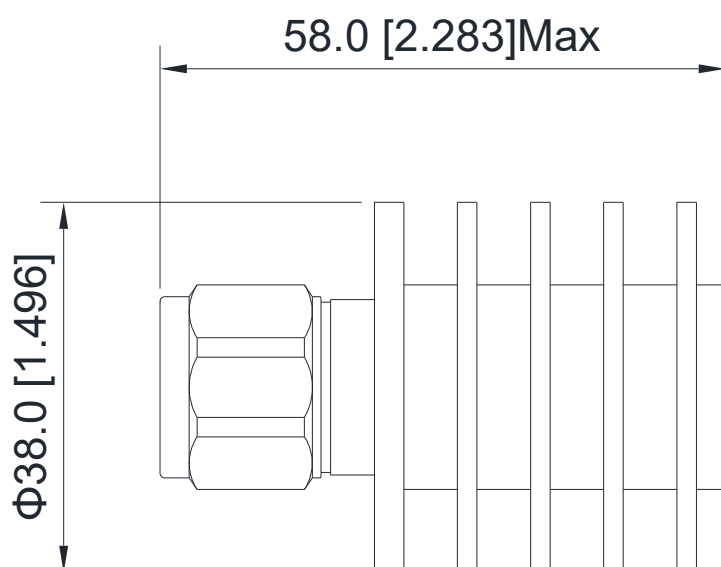
- ◆ High RF performance, ultra-competitive price.
- ◆ Military, space and commercial applications.
- ◆ Custom design available upon request.
- ◆ Support one year standard warranty.

RF Characteristics

Model Number	Freq. Range	VSWR Max	Power	Connector Type	Impedance
UIYCT25AN8	DC-8GHz	1.25	25W	N Male	50 Ω
UIYCT25AN124	DC-12.4GHz	1.3	25W	N Male	50 Ω
UIYCT25ANF124	DC-12.4GHz	1.3	25W	N Female	50 Ω
UIYCT25AN18	DC-18GHz	1.35	25W	N Male	50 Ω
UIYCT25ANF18	DC-18GHz	1.35	25W	N Female	50 Ω

- ² Listed are specific frequency ranges and tailor-made ranges available.
² Please provide the information below when inquiring and mark * is required.
- * 1. Power handling
 - 2. Connect type (SMA Male/ Female, N Male/ Female, etc.)
 - 3. Other special requests (VSWR, Temperature, Dimension, etc.)

Mechanical Drawing



Unit: mm/ inch, General part tolerance is $\pm 2\%$ unless otherwise stated.

Ver. 5.2